



torqu **UP**

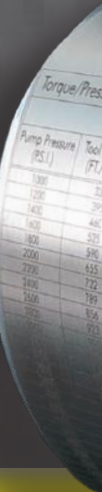
**UNCOMPLICATED
HYDRAULIC BOLTING**

TU SQUARE DRIVE TORQUE WRENCH

TU

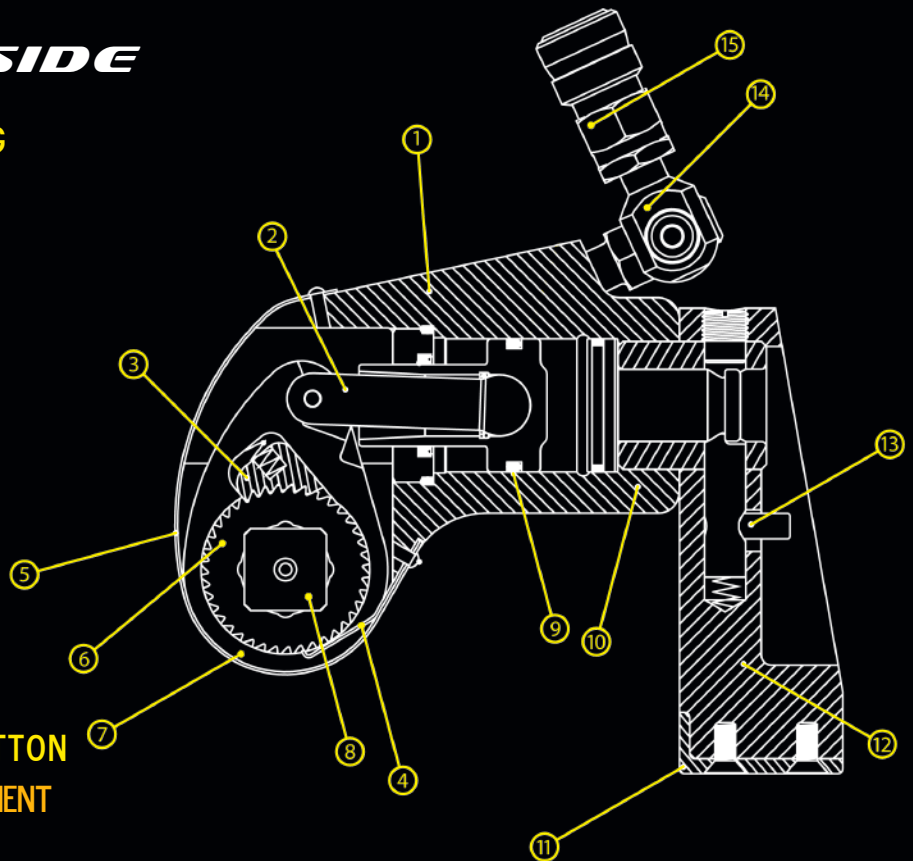
SQUARE DRIVE HYDRAULIC TORQUE WRENCH THE WRENCH WITH STYLE

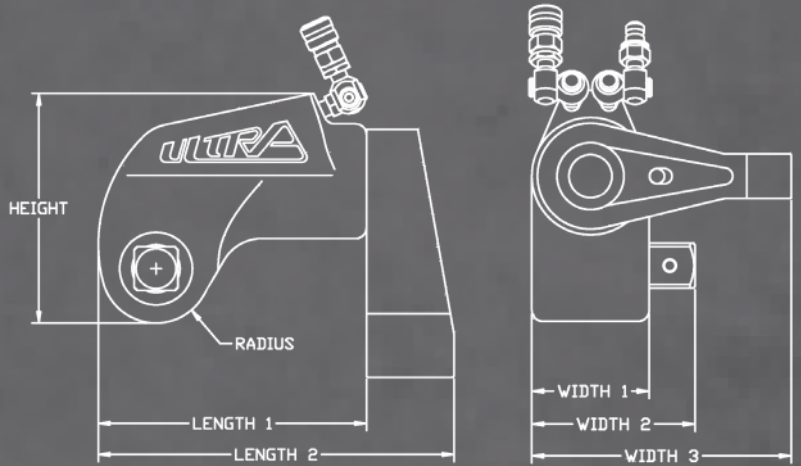
NOT ONLY DOES THE TU SERIES LOOK GOOD ... BUT IT PERFORMS GREAT!! THE "GO-TO" TOOL ON EVERY JOB-SITE IS THE TU SQUARE DRIVE HYDRAULIC WRENCH. FROM 130 FT/LBS TO 60,000 FT/LBS THE TU IS THE ONE TOOL THAT ALL CUSTOMERS KNOW WILL BE THERE WHEN THEY NEED IT. WITH ONLY THREE MOVING PARTS CONSTRUCTED FROM THE HIGHEST GRADE AEROSPACE ALLOYS, THE TU PROVIDES YEARS OF TROUBLE FREE OPERATION. WHEN IT COMES TO LUBRICATION AND PREVENTATIVE MAINTENANCE, THERE IS NO SQUARE DRIVE HYDRAULIC WRENCH COMPARABLE TO THE TU SERIES. RELIABILITY, EASE OF USE, EASE OF FITMENT ON APPLICATIONS, SIMPLE TO MAINTAIN ... THIS IS JUST THE START OF A LONG LIST OF FEATURES THAT BENEFIT THE USERS OF THE TU SERIES. AND LAST BUT NOT LEAST ... MADE IN USA!!



THE POWER INSIDE

1. PATENTED MONO-BODY HOUSING
2. BALANCED DRIVE ROD
3. MULTI-TOOTH DRIVE SEGMENT
4. ANTI-BACK LASH MECHANISM
5. LASER ENGRAVED TORQUE CHART
6. MULTI-TOOTH RATCHET
7. ONE PIECE DRIVE PLATE
8. PUSH-THROUGH DRIVE
9. SINGLE SEAL PISTON
10. DIRECT HOUSING REACTION
11. STEEL REACTION BOOT
12. LONG LENGTH REACTION ARM
13. REACTION ARM THUMB RELEASE BUTTON
14. 360° X 360° DUAL INDEPENDENT MOVEMENT
15. QUICK CONNECT NO-DRIP COUPLERS

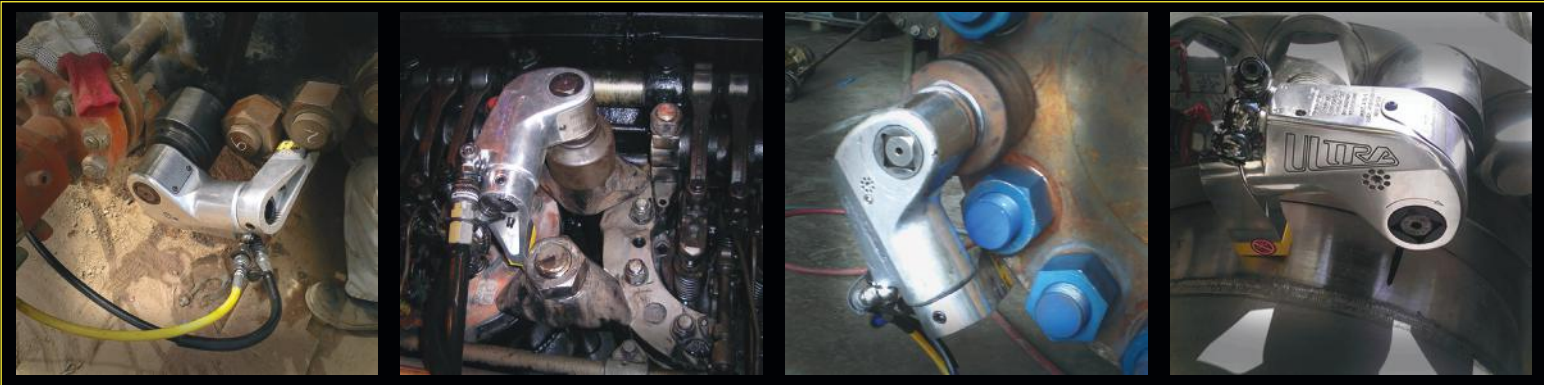




WWW.TORCUP.COM

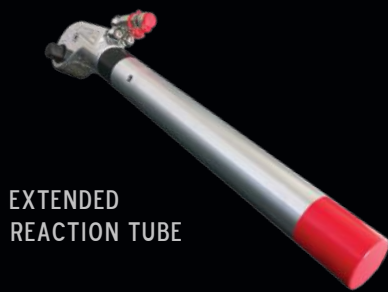
POWER ENGINEERED

| MODEL NUMBER | TU-2 | TU-3 | TU-5 | TU-7 | TU-11 | TU-20 | TU-27 | TU-60 |
|----------------------|-------|-------|--------|--------|--------|--------|--------|--------|
| SQUARE DRIVE | 3/4" | 1" | 1 1/2" | 1 1/2" | 1 1/2" | 2 1/2" | 2 1/2" | 2 1/2" |
| MIN. TORQUE (lbf-ft) | 127 | 330 | 550 | 740 | 1100 | 1940 | 2720 | 5800 |
| MAX. TORQUE (lbf-ft) | 1270 | 3330 | 5500 | 7400 | 11010 | 20625 | 27200 | 58000 |
| MIN. TORQUE (nm) | 172 | 447 | 745 | 1003 | 1491 | 2630 | 3687 | 7862 |
| MAX. TORQUE (nm) | 1722 | 4514 | 7457 | 10031 | 14925 | 27964 | 36872 | 78625 |
| OUTPUT ACCURACY | +/-3% | +/-3% | +/-3% | +/-3% | +/-3% | +/-3% | +/-3% | +/-3% |
| REPEATABILITY | 100% | 100% | 100% | 100% | 100% | 100% | 100% | 100% |
| DUTY CYCLE | 100% | 100% | 100% | 100% | 100% | 100% | 100% | 100% |
| TOOL WEIGHT (lbs) | 5.6 | 10.9 | 18.1 | 19.0 | 29.0 | 61.0 | 70.0 | 130.0 |
| TOOL WEIGHT (kgs) | 2.5 | 4.9 | 8.2 | 8.6 | 13.1 | 27.6 | 31.7 | 59.8 |
| HEIGHT (in) | 4.20 | 5.33 | 6.40 | 7.17 | 7.80 | 9.22 | 10.19 | 11.50 |
| HEIGHT (mm) | 106.7 | 135.3 | 162.6 | 182.1 | 198.1 | 234.3 | 258.8 | 292.1 |
| LENGTH 1 (in) | 4.82 | 6.40 | 7.91 | 8.84 | 9.79 | 9.44 | 12.32 | 15.38 |
| LENGTH 1 (mm) | 122.4 | 162.5 | 200.9 | 224.5 | 248.6 | 239.7 | 312.9 | 390.7 |
| LENGTH 2 (in) | 6.34 | 8.43 | 10.66 | 11.58 | 12.79 | 16.09 | 16.33 | 20.40 |
| LENGTH 2 (mm) | 161.0 | 214.1 | 270.7 | 294.1 | 324.8 | 408.9 | 414.8 | 518.2 |
| RADIUS (in) | 0.98 | 1.31 | 1.57 | 1.77 | 2.03 | 2.31 | 2.46 | 3.10 |
| RADIUS (mm) | 24.9 | 33.2 | 39.8 | 44.9 | 51.5 | 58.7 | 62.5 | 78.7 |
| WIDTH 1 (in) | 2.00 | 2.63 | 3.12 | 3.61 | 3.95 | 4.87 | 5.26 | 6.58 |
| WIDTH 1 (mm) | 50.8 | 66.8 | 79.2 | 91.7 | 100.3 | 123.6 | 133.6 | 167.1 |
| WIDTH 2 (in) | 2.79 | 3.68 | 4.64 | 5.06 | 5.43 | 7.15 | 7.57 | 8.89 |
| WIDTH 2 (mm) | 70.9 | 93.5 | 117.8 | 128.5 | 137.9 | 181.7 | 192.3 | 225.8 |
| WIDTH 3 (in) | 4.42 | 5.81 | 7.00 | 7.98 | 8.72 | 10.88 | 11.63 | 14.29 |
| WIDTH 3 (mm) | 112.3 | 147.6 | 177.8 | 202.7 | 221.5 | 276.4 | 295.4 | 363.0 |



TU SERIES
SQUARE DRIVE
HYDRAULIC TORQUE WRENCH

DESIGN - UNIQUE AND EXCLUSIVE
DURABLE - HIGHEST GRADE ALLOYS
DEPENDABLE - ROBUST 3 MOVING PARTS



EXTENDED
REACTION TUBE



DIRECT HEX
ADAPTOR



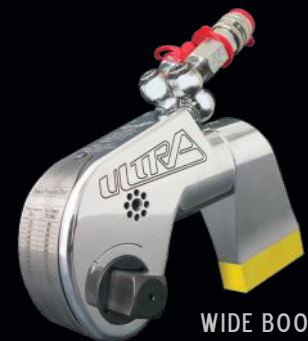
END CAP
PROTECTOR



HOUSING
REACTION
PAD



NON PUSH THRU
SQUARE DRIVE



WIDE BOOT
REACTION ARM



Worldwide Headquarters

1025 Conroy Place
Easton, PA 18040 USA
TOLL FREE: 1-888-TorcUP-1
TELEPHONE: 1-610-250-5800
FAX: 1-610-250-2700
www.torcup.com



TU SERIES

Made In USA

Eight Models From 127 lbf-ft to
58,000 lbf-ft

Every Unit Calibrated In
ISO17025 Laboratory

Manufactured With AQ
Certified Alloys

Genuine TorcUP Design

Patented Mono-Body Housing

CARRYING
CASE

