

## CYLINDERS

### BETEX NSSS series, standard cylinder, spring return, single acting



**Model: NSSS Series**

Capacity : 5-100 ton  
 Stroke : 25,4-362 mm  
 Max. working pressure : 700 Bar

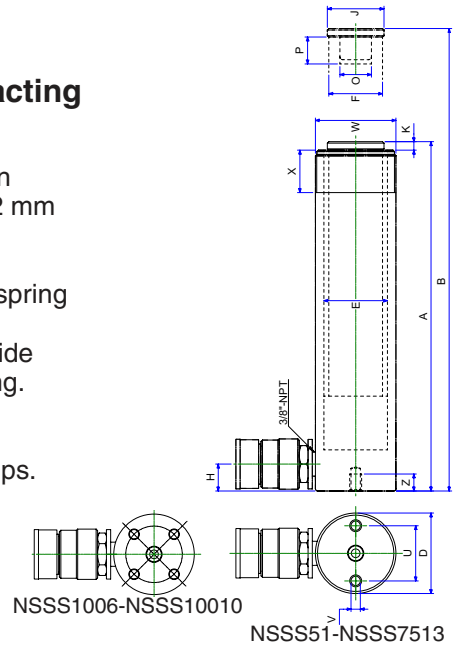
- All rams are single acting with spring return. Pistons hard chromed.
- Rams inside roll-polished, outside blasted with black nitride coating.

**Power sources:**

Handpumps, Footpumps and air/hydraulic pumps and electric pumps.

**Pump and cylinder sets:**

All cylinders are available as sets (cylinder, gauge, couplers, hose and pump) for your ordering convenience.



**NSSS series**

**TIP!** Use in combination with: hand- and foot pumps, page 55-67. Accessories, page 70-73

Type	Cap. ton	Stroke mm	Oil cap cm <sup>3</sup>	A Height mm Retracted	B Height mm Extended	D mm	E mm	F mm	H mm	J mm	K mm	O ø un	P mm	U mm	V ø mm	W ø un	X mm	Z mm	Weight Kg
NSSS51	4.5	26	17	110	136		28.6						14						1
NSSS53	5	76	54	165	241		30						14						1.5
NSSS55	5	127	90	216	343	38	30	25.4	19	25	6	3/4"-16	14	25	1/4"-20un	1/2"-16	28	14	1.9
NSSS57	5	183	129	273	456		30						16						2.4
NSSS59	5	232	164	324	556		30						16						2.8
NSSS101		25.4	36.5	90	115.4		42.8			-	-	#10-24un	6.5						1.8
NSSS102		51	73	121	172		42.8			40	6	1"-8	19						2.3
NSSS104		101	145	171	272		42.8			40	6	1"-8	19						3.3
NSSS106	10	152.5	242	247	399.5	57	45	38	19	40	6	1"-8	19	39	5/16"-18un	2 1/4"-14	30	13	4.4
NSSS108		203.5	323	298	501.5		45			40	6	1"-8	19						5.4
NSSS1010		255.5	406	350	605.5		45			40	6	1"-8	19						6.4
NSSS1012		305.5	486	400	705.5		45			40	6	1"-8	19						6.8
NSSS1014		356.5	567	451	807.5		45			40	6	1"-8	19						8.2
NSSS151		26.5	63	124	150.5				19										3.3
NSSS152		52.5	125	149.6	202.1				19										4.1
NSSS154		102.5	243	200	302.5				19										5.0
NSSS156	15	153	363	271.6	424.6	73	55	40	25	38	9.6	1"-8	25.4	47.7	3/8"-16un	2 3/4"-16	30	13	6.8
NSSS158		203.5	483	322	525.5				25										8.2
NSSS1510		254.5	604	373	627.5				25										9.5
NSSS1512		305	724	424	729				25										10.9
NSSS1514		355.7	845	474.6	830.3				25										11.8
NSSS1516		406	824	523	829				25										12.8
NSSS251		25.5	98	139.5	165														5.9
NSSS252		51	196	165	216														6.4
NSSS254		102	392	216	318														8.2
NSSS256	25	158.5	610	273	431.5	88	70	55	25	50	10.5	1 1/2"-16	25.4	58	1/2"-13un	3 5/16"-12	50	19	10
NSSS258		209.5	806	324	533.5														12.2
NSSS2510		260.5	1002	375	636.5														14.1
NSSS2512		311	1196	425.5	736.5														16.3
NSSS2514		361.5	1390.5	476	837.5														17.7
NSSS308	30	209.5	925	387.5	597	103	75	60	57	50	10.5	1 1/2"-16	25.4	-	-	4"-12	50	-	18.1
NSSS502		51	361	177	228														15
NSSS504		101.5	719	229	330.5														19.1
NSSS506	50	157.5	1116	283	440.5	127	95	80	33	70	3	-	-	95	1/2"-13un	5"-12	55	19	23.1
NSSS508		203	1446	349	552														27.1
NSSS5010		260	1853	385	645														30.4
NSSS5013		335.5	2377	461	796.5														37.6
NSSS756	75	155	1752	285	440	152	120	95	30	70	3	-	-	-	-	5 3/4"-12	45	-	29.5
NSSS7513		333.5	3770	491	824.5														59
NSSS1006	100	170	2432	358	528	177	135	105	40	70	3	-	-	139	3/4"-10un	6 7/8"-12	45	25	59
NSSS10010		260	3720	448	708														72.6