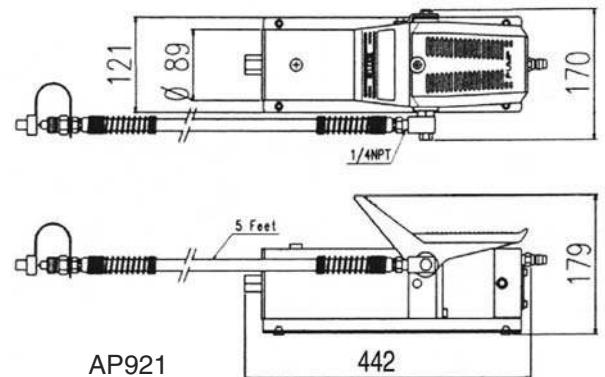


AIR PUMPS

BETEX AP921 SERIES, AIR-HYDRAULIC FOOT PUMP, 700 BAR



- The air-driven hydraulic pump is designed for use with single-acting cylinders and tools like the Betex cylinder serie
- Rugged construction: most components are made of aluminium alloy and are built for long service life, easy operation and portability
- Automatic 700 bar overload-relief valve protects components in hydraulic systems and ensures safe operation
- New inlet/outlet design features slow deflation function reducing noise, and allows multidirectional operation



AP series

TIP! Use in combination with accessories, page 70-74

Type	max. Pressure (bar)	Usable oil capacity cm ³	Oil volume per stroke cm ³ 1st stage 2nd stage	A mm	B mm	C mm	D mm	E mm	F	G mm	Weight Kg
AP921	700	750	530 130	442	170	89	-	-	3-8 bar	179	5.4