

## AIR PUMPS

### BETEX AP1600/3000 SERIES, AIR-HYDRAULIC FOOT PUMPS, 700 BAR



AP1600S



AP3000S

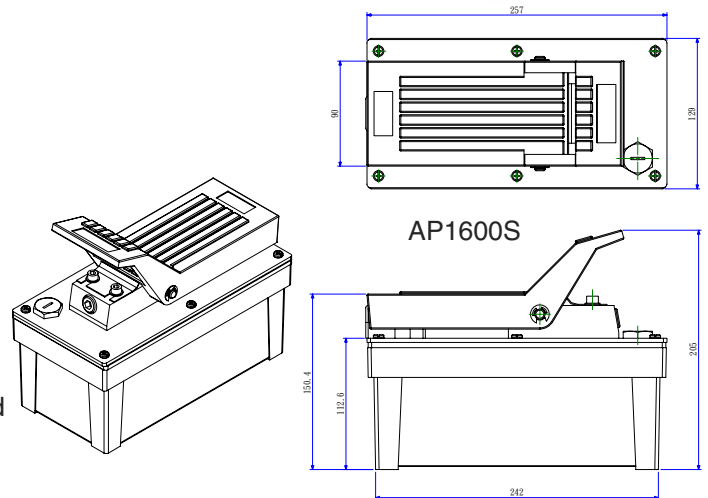


AP1600D



AP3000D

- The air-driven hydraulic pump is designed for use with single-acting cylinders and tools like the Betex cylinder serie
- Rugged construction: most components are made of aluminium alloy and are built for long service life, easy operation and portability
- Automatic 700 bar overload-relief valve protects components in hydraulic systems and ensures safe operation
- New inlet/outlet design features slow deflation function reducing noise, and allows multidirectional operation
- The AP1600D + AP3000D-models are specially designed for double-acting cylinders without the need of an additional control valve and connecting pieces



#### AP series

TIP! Use in combination with accessories, page 70-74

Type	max. Pressure (bar)	Usable oil capacity cm <sup>3</sup>	Oil volume per stroke cm <sup>3</sup> 1st stage 2nd stage	A mm	B mm	C mm	D mm	E mm	F	G mm	Weight Kg
AP1600S	700	1600	1250 193	242	128	90	258	154	3-8 bar	205	7.5
AP1600D	700	1600	1250 193	242	128	90	258	154	3-8 bar	205	8.3
AP3000S	700	3000	1250 193	305	160	90	325	152	3-8 bar	205	10.0
AP3000D	700	3000	1250 193	305	160	90	325	152	3-8 bar	205	10.3