

P

POWERTOOLS



Torque Wrenches

JTI



JTI *Just Torque It!* Sophisticated simplicity

Pulling large joints, which for safety reasons require high torque and high accuracy, is today often a challenge that requires sophisticated equipment. The biggest challenge is often to pull a joint in a safe manner.

JTI is a newly developed, greatly simplified, but at the same time extremely robust hydraulic wrench which both loosens and pulls large joints effectively, securely and accurately with only simple hydraulic hand pumps as power source. To ensure high reliability and long service life, even in extreme conditions, we chose to only use one of the most advanced Swedish tool steels available on the market for the tool's most exposed parts.

JTI is definitely an effective and safe alternative to impact wrenches and sledge hammer but with a torque accuracy of + - 3% when pulled. Our basic concept is to view tools, hydraulic hoses and pump as a whole to the user.

The pump is easy to use and the weight is low, which are recurring requests that we have taken note of.

JTI can be run with single action hydraulic hand pumps, pneumatic pumps and even single action electric pumps. We also offer a portable solution with a battery pump with high flow capacity but weighs no more than 14.5 kg including battery and oil. The battery pump can handle as much as two hours of normal operation on a single charge!

- **Can be run using a hand pump**
- **Compact design**
- **Low weight**
- **Swedish high-strength steel**
- **Integrated protractor**
- **Adapter for square drive**



- Laser engraved protractor for accurate torque control.



- Small distance between 12-point and the outside allows the JTI to be used in narrow spaces.
- Square drives are available with fixed or locking function.



- Square drives made of high strength material.
- Can be replaced by a 6-point socket or hexagonal adapter



- Square drive and angle reaction arm.



- Swivel 360x360 degree movement.



- Extended reaction arm.



POWERTOOLS
TORQUE WRENCHES

JTI-series



A LONG STROKE LENGTH THAT REQUIRES A MINIMUM OF REPOSITIONINGS

A long stroke length on the cylinder provides the JTI tool with a simple design. This means that the rotation of the joint reaches past the next key grip on the nut, and the JTI can easily be lifted in order to make the repositioning manually - just as with a fixed wrench. This provides the JTI with a robust design and makes the basic model an affordable quality tool.

The combination of square drive and ratchet wrench mechanism allows you to minimize the number of repositionings which makes the JTI one of the fastest torque wrenches on the market. JTI is a flexible tool, which allows you to easily convert your narrow inline tools in order to use ordinary power sockets. It turns JTI into something entirely new on the market.

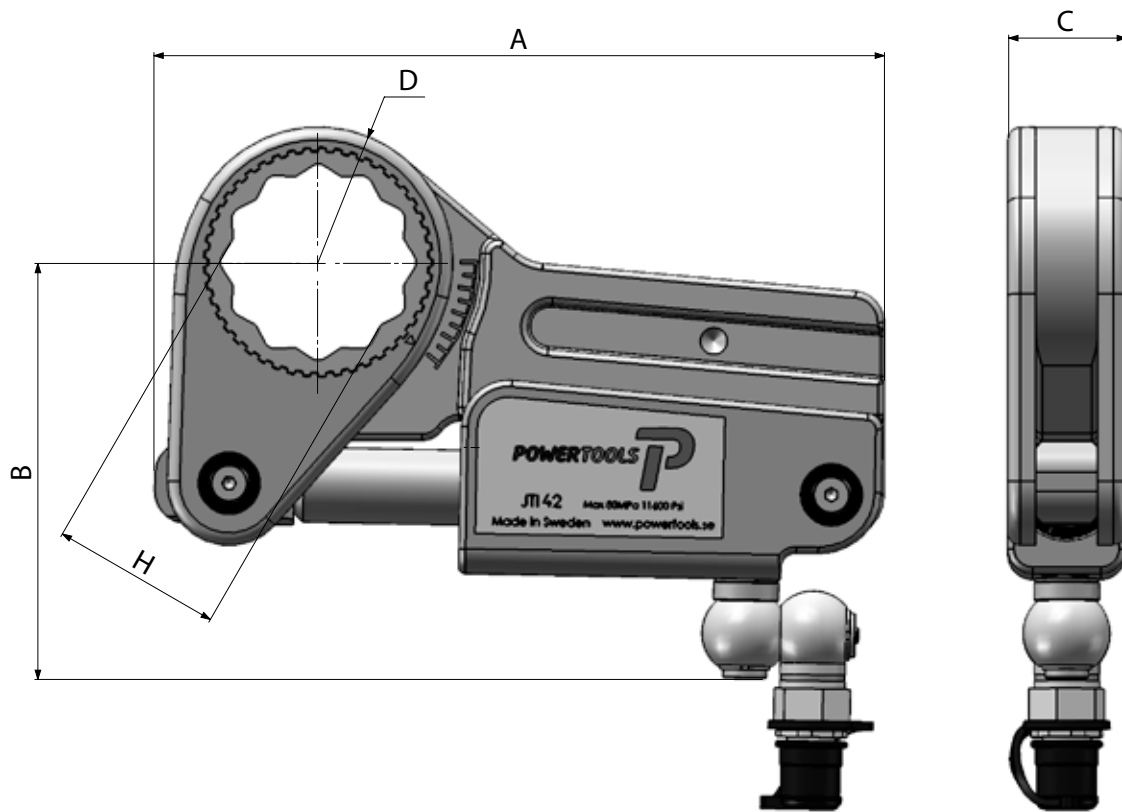
The protractor allows you to easily comply with the equipment manufacturer's recommendation for a torque followed by a re-tightening angle. To further facilitate access there are accessories available in order to extend the reaction body both in height and length.

The angle reaction arm is an accessory frequently used when using power sockets. Adapters are available as accessories, e.g. from 55 mm hex to 46 mm hex.

All pump solutions are tough and the pressure gauges are easy to read. The pumps can be easily adjusted to the desired operating pressure. When you wish to use multiple tools simultaneously a distribution block is available as an accessory for all our hydraulic pumps.

A popular benefit of the JTI-tool is that the pumps driving the tool have an extremely low weight, ranging from about 5 kg for the air-powered pumps to 7kg for the electrically powered pump designed for one or maximum two tools. We always start with the customer's intended area of use and present the overall solution that best matches the customer's requirements in terms of price and performance.

The JTI tool is particularly easy to use and designed to meet the most demanding environments.



JTI Dimension table

Article number	Hex (max)**/	Torque Nm		Accuracy	Weight	Hex (max)**	Lenght	Height	Width	Radius
		Min	Max	%	Kg	Dimension in mm				
						H	A (max)	B	C	D
JTI32	46	310	3100	+/- 3%	4	46	230	125	40	38,5
JTI42	55	410	4 100		4,8	55	237	134	40	43,5
JTI67*	65	650	6 500		7	65	260	150	45	47
JTI32 Ratchet	1"	310	3 100		4,4	1"	230	125	40	38,5
JTI42 Ratchet	1"	410	4 100		6,3	1"	237	134	40	43,5

* The size will be launched shortly - all values are approximate, please contact us for more information.

** With optional accessories and reduction sleeves the hexagon can be adjusted for use with smaller sizes, please contact us for more information.



POWERTOOLS
TORQUE WRENCHES

JTI-series

PH078 JTI



PH038 JTI



PL18 JTI



PLF18 JTI



PL48 JTI

PB18 JTI



PE18 JTI



Our manually and electrically powered hydraulic pumps

For further information, please see the hydraulic catalogue or www.powertools.se



POWERTOOLS



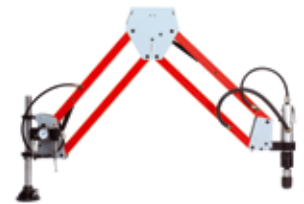
Hydraulics



Pneumatic



Torque wrenches



SL Balance

Power Tools - A developing partner

Powertools develop, manufacture and market innovative pneumatic and hydraulic power tools as well as threading tools. With our help, you get more out of your business, strengthen your competitiveness and increase your profitability. In our company we have merged experience with innovation. Our company originated in the fifties, but we aim for the future and have a burning desire to develop your company in cooperation with you.

Clever and efficient

Our products will often give you much higher efficiency gains compared to more expensive machines, systems and tools. We always strive to increase the efficiency of an entire work process, rather than ad hoc projects. Looking at the big picture, it saves both time and money.

Top quality

We have a proud tradition of high quality ever since the days when we were branded Bahco Power Tools, and we will never abandon that tradition. We simply and truly believe that an investment in quality is the best investment for our customers. When you get a higher return in your production, so will we.

Chosen for you

In our basic range you will find a high quality range of products - either developed by us at Power Tools, or by some of the world's most skilled manufacturers. Only the best is good enough when we select the solutions which we offer you. We also have the capability to develop customized applications that help you solve complex production problems.

Powertools Sweden AB
Kvartsgatan 10
SE-749 40 Enköping

Telephone: +46 171 - 66 30 00
Telefax: +46 171 - 393 16

powertools@powertools.se
www.powertools.se