



POWERTOOLS
HYDRAULICS

CRF

13-100 ton



Stainless cylinders: Your servants whatever the weather

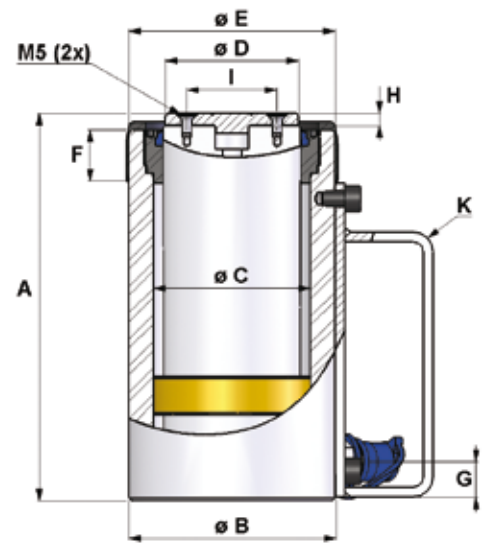
There is no such thing as bad weather, only bad clothing! So we like to make sure that our CRF series is properly dressed. This stainless cylinder performs outstandingly well in most conditions, but is especially suited to damp environments – it's even able to work underwater, because the stainless inner surface prevents the seals being damaged by rusty cylinder walls.

Because of its special piston guide, this series can also handle off-center loadings and has no sharp corners that can cause damage to the cylinder wall. There is also a scraper-ring fitted to the piston rod to prevent ingress of dust and dirt.

The CRF series has a removable pressure head for maximum flexibility, and can be easily built into other machin-

ery using an external threaded fixing. The thread can also be used for mechanical locking, so that the cylinder can be depressurised in the working position under load.

- **Force 13-100 ton**
- **Stroke 25-200 mm**
- **Working pressure 800 bar**
- **Cylinder casing in stainless steel**
- **Spring return**
- **Textile-reinforced guide strip handles off-center loads**
- **Piston stop for full load**
- **Special designs on request**



CRF series

Article number	Capacity	Stroke	Oil volume	Lowest height	Outer Ø	Piston Ø	Piston rod Ø	Outer thread / thread length	Coupling height	Height pressure head	Fastening holes pressure head	Handle	Weight												
														Ton*/kN	mm	cm³	Dimension in mm							K	Kg
															A	B	C	D	E/F	G	H	I			
CRF 13-50	13/125	50	80	134	58	45	38	M58 x 2 25	20	6	24	No	2.3												
CRF 13-100		100	159	184										3.0											
CRF 13-150		150	238	234											3.7										
CRF 25-25	25/249	25	78	115	80	63	55	M80 x 3 30	20	7	34	No	3.7												
CRF 25-50		50	156	140										4.7											
CRF 25-100		100	312	190											5.9										
CRF 25-150		150	468	240										7.3											
CRF 25-200	200	624	290	8.7																					
CRF 40-50	40/394	50	251	146	105	80	70	M105 x 3 25	20	7	46	Yes	8.5												
CRF 40-100		100	502	196										11.0											
CRF 40-200		200	1005	296											15.6										
CRF 63-50	63/616	50	393	160	130	100	80	M130 x 3 25	32	7	60	Yes	14.0												
CRF 63-100		100	785	210										17.7											
CRF 63-200		200	1571	310											24.9										
CRF 100-50	100/962	50	614	183	160	125	100	M160 x 3 30	35	9	80	Yes	23.7												
CRF 100-100		100	1227	233										28.9											
CRF 100-200		200	2454	333											39.3										

* Rounded value, see kN for exact value