



**POWERTOOLS**  
HYDRAULICS

**CA**  
5-100 ton



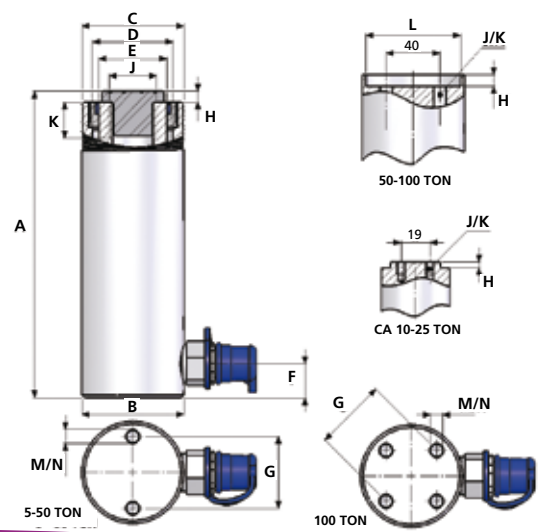
## Single-acting cylinders: Big sellers in a wide range

If you're looking for a 'basic' pressure cylinder and also have the benefit of space, the choice is simple. Our CA series is just all-round incredible, and handles many different types of operations, from the smallest everyday tasks to relatively heavy and advanced jobs. The series is very adaptable because of its wide range of tonnage and stroke.

The series also has a great many accessories for varying types of work, which further increases performance. Among other features, there are adapters that fix to the cylinder and piston that makes it easy to mount on the cylinder or extend it with the various maintenance kits. The accessories fit cylinders up to 25 tons (see p 40).

The piston is equipped with a guide strip to handle off-center loads, and also has a rubber scraper ring fitted to the piston rod to prevent ingress of dirt and dust. In brief, this is a thoroughly-tested cylinder and an absolute essential in every basic range.

- **Power 5-100 ton**
- **Stroke 25-362 mm**
- **Working pressure 700 bar**
- **Spring return**
- **Guide strip handles off-center loads**
- **Many accessories available**
- **Special designs on request**



**CA series**

Article number	Capacity	Stroke	Oil volume	Lowest height	Outer Ø	Collar thread/ thread length	Piston Ø	Piston rod Ø	Height to coupling	Distance fastening holes	Elevation of pressure head	Female thread piston rod/ thread length	Inner Ø	Fastening hole thread/ thread length	Weight															
																Ton*/kN	mm	cm <sup>3</sup>	Dimension in mm											Kg
																			A	B	C	D	E	F	G	H	J/K	L	M/N	
CA 5 -27	5/49	27	19	110	38	1 1/2" - 16UN 29 mm	30	25.4	19	25	6	3/4" - 16 UNF 16 mm	-	1/4" - 20 UNC 14 mm	0.9															
CA 5 -77		77	55	165											1.3															
CA 5 -127		127	90	216											1.7															
CA 5 -181		181	128	273											2.2															
CA 5 -232		232	165	324											2.5															
CA 10-25	10/111	25	40	90	57	2 1/4" - 14UN 27 mm	45	38	19	40	3	10-24 UN 7mm	-	5/16" - 18 UNC 12 mm	1.7															
CA 10-54		54	86	121											2.2															
CA 10-105		105	167	171											2.9															
CA 10-155		155	247	247											4.4															
CA 10-206		206	328	298											5.5															
CA 10-257		257	409	349											6.6															
CA 10-305		305	486	400											6.5															
CA 10-356		356	566	451											7.1															
CA 15-25	15/166	25	59	124	70	2 3/4" - 16UN 30 mm	55	48	19	48	10	1"-8 UNC 17mm	-	3/8" - 16 UNC 13 mm	3.2															
CA 15-51		51	121	149											3.8															
CA 15-101		101	240	200											5															
CA15-152		152	361	272											6.7															
CA 15-203		203	482	322											7.7															
CA 15-254		254	603	373											8.1															
CA 15-305		305	725	424											9.8															
CA 15-356		356	846	475											11.1															
CA 25-25	25/232	25	83	140	85	3 5/16" - 12UN 49 mm	65	60	22	59	10	1 1/2"-16 UN 25 mm	-	1/2" - 13 UNC 19 mm	5.2															
CA 25-51		51	169	165											6.2															
CA 25-101		101	335	216											8.1															
CA 25-159		159	528	273											10.2															
CA 25-209		209	694	324											12.0															
CA 25-260		260	863	375											13.8															
CA 25-311		311	1032	426											15.4															
CA 25-362		362	1201	476											17.3															
CA 50-53	50/496	53	376	176	127	5" - 12UN 55 mm	95	80	33	95	6.5	M6 8mm	76	1/2" - 13 UNC 19 mm	14.7															
CA 50-104		104	737	227											18.0															
CA 50-159		159	1127	282											22.7															
CA 50-337		337	2389	460											36.3															
CA 75-155	75/727	155	1610	282	146	5 3/4" - 12UN 44 mm	115	100	29	-	4.5	M6 8mm	77	-	29.0															
CA 75-333		333	3459	492											59.3															
CA 100-168	100/929	168	2230	359	175	6 7/8" - 12UN 54 mm	130	100	41	140	4.5	M6 8mm	77	3/4" - 10 UNC 24 mm	41.0															
CA 100-260		260	3451	450											51.0															

For further information, please see our price list or browse [www.powertools.se](http://www.powertools.se).

\* Rounded value, see kN for exact value