



**POWERTOOLS**  
HYDRAULICS

**CML, CLA, CB**  
5.6-160 ton



## Low-profile cylinders: The closest there is

Powertools low-profile cylinders are specially developed for work in restricted spaces. With this bundle of energy, you can handle operations where ordinary cylinders can't reach.

The CML series is an extremely low-profile cylinder. The low build height makes it ideal for work in restricted spaces, where the lift required isn't so high. In brief, a precision cylinder!

The build height of the CLA series is almost as low as that of the CML, but it is also narrow because it has flat-machined sides. Two fastening holes make it easy to screw the cylinder firmly in place wherever you wish.

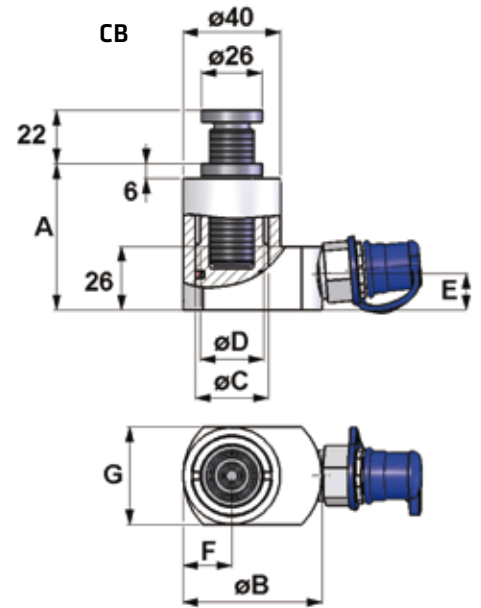
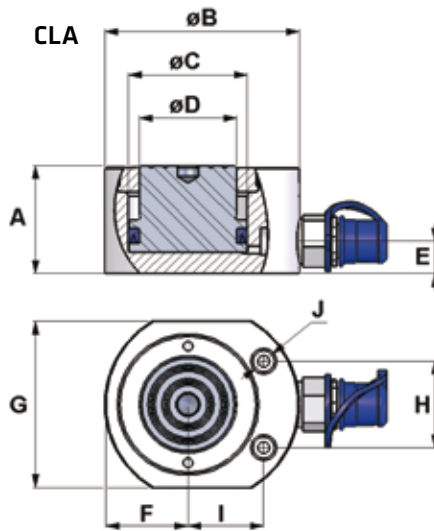
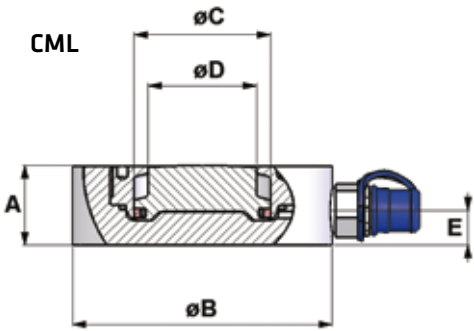
The CB series is perfect for when you need a low-profile cylinder, but still want the greatest possible flexibility vertically. Because of its adjustable pressure head, you can adjust the build height itself without support plates.

- **Power 5.6-160 ton**
- **Stroke 10-16 mm**
- **Working pressure 800 bar**
- **Piston stop for full load**
- **Special designs on request**



**POWERTOOLS**  
HYDRAULICS

**CML, CLA, CB**  
5.6-160 ton



**CML**



**CLA**



**CB**

**CML, CLA, CB series**

Article number	Capacity	Stroke	Oil volume	Lowest height	Outer Ø	Piston Ø	Piston rod Ø	Coupling height	Measurement from center to radius	Measurement on cutted surface	Distance fastening holes	Distance fastening hole to center	Hole Ø	Weight											
															Dimension in mm										Kg
															Ton*/kN	mm	cm <sup>3</sup>	A	B	C	D	E	F	G	
CB 5.6-15	5.6 / 55.4	15	11	60	57	30	26	15	20	40	-	-	-	0.8											
CLA 6.5-10	6.5 / 63	10	8	37.5	65	32	26	15	25	50	25	25	5.5	0.9											
CLA 20-13	20 / 186	13	31	51	90	55	45	15	38.5	77	40	35	5.5	2.2											
CLA 40-13	40 / 394	13	65	61	118	80	70	17	53	106	50	48	6.5	4.8											
CML 13-10	13 / 124.7	10	16	30	100	45	36	15	-	-	-	-	-	1.8											
CML 25-10	25 / 244.4	10	31	37	120	63	50	16	-	-	-	-	-	3.1											
CML 40-10	40 / 394	10	50	41	145	80	67	17	-	-	-	-	-	5.1											
CML 60-10	60 / 615.7	10	79	46	170	100	90	21	-	-	-	-	-	7.8											
CML 100-16	100 / 962	16	196	59	190	125	110	23	-	-	-	-	-	12.3											
CML 160-16	160 / 1576	16	322	77	225	160	130	29	-	-	-	-	-	22.2											

\* Rounded value, see kN for exact value

For further information, please see our price list or browse [www.powertools.se](http://www.powertools.se).