



**POWERTOOLS**  
HYDRAULICS

**CHB**

7-100 ton



## Hollow cylinders: Twice as good – for both pull and push

If you have to change between pressing and pulling operations, this is what you need. This hollow cylinder can be fitted with a rod that converts it for the pulling function. If you want to use the cylinder for lifting or pressing instead, you simply change the standard head to a flat, non-hollow pressure head. This is of course available as a series accessory (see table on p 13)

The piston-rod guide is fitted with a textile-reinforced guide strip. This provides maximum protection against metal-to-metal contact with the cylinder wall, even with off-center loads. The cylinder also has a scraper-ring to prevent ingress of dirt and dust into the cylinder bore.

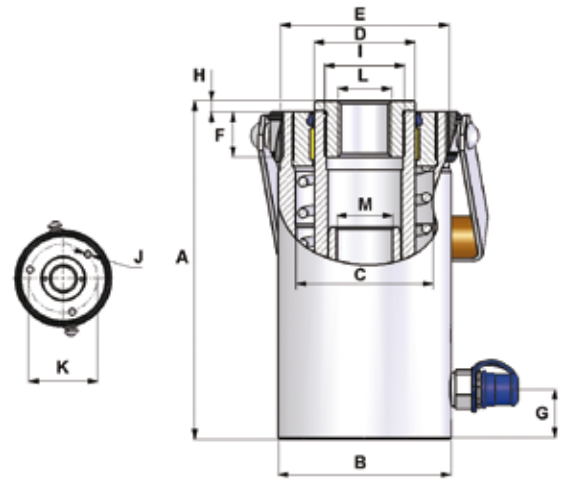
CHB are available with or without spring return. In addition to fixing holes in the base of the cylinder, the series also has a collar thread so you can locate it wherever you want to, e.g. on an pulling tool.

- **Power 7-100 ton**
- **Stroke 40-150 mm**
- **Working pressure 800 bar**
- **Textile reinforced guide strip handles off-center loads**
- **Piston stop for full load**
- **Special designs on request**



**POWERTOOLS**  
HYDRAULICS

**CHB**  
7-100 ton



### CHB series

Article number	Capacity	Stroke	Oil volume	Spring return	Pressure head	Lowest height	Outer Ø	Piston Ø	Piston rod Ø	Outer thread/ thread length	Height to coupling	Height of connection insert	Female thread, piston rod	Fastening holes, bottom	Pitch of fastening holes	Connection shell ø or thread	Center hole ø	Handle	Weight												
																				Dimension in mm										Yes/No	Kg
																				A	B	C	D	E/F	G	H	I	J	K		
CHB 7 - 40	7/69	40	35	No	TCHB-7	105	58	45	38	M55 x 1.5 22	22.5	-	-	3 x M6	47	ø21	20	No	1.6												
CHB 14 - 75	14/138	75	135	Yes	TCHB-14	186	69.5	55	38	UN 2" 3/4 - 16 30	19	-	-	2xUNC 5/16-18	50.8	ø20.5	20.5	No	3.5												
CHB 15 - 50	15/159	50	101	Yes	TCHB-15	158	82	60	45	M82 x 3 30	19	9	M35 x 1.5	2 x M8	66.4	M24	26	No	4.6												
CHB 15 - 100		100	202	Yes	TCHB-15	238												No	6.9												
CHB 30 - 50	30/320	50	204	No	TCHB-30	148	108	85	63	M105 x 3 30	31	6	M50 x 2	3 x M10	86	M33	35	Yes	7.2												
CHB 30 - 75		75	306	Yes	TCHB-30	211					31							6	Yes	11.7											
CHB 30 - 150		150	612	Yes	TCHB-30	321					37							6	Yes	16.0											
CHB 50 - 40	50/491	40	251	No	TCHB-50	133	124	100	75	M125 x 3 30	17	8	M50 x 2	3 x M10	93	UNC 1"3/8 - 6	37	Yes	9.4												
CHB 50 - 40F				Yes	TCHB-50F	175												70	8	Yes	10.9										
CHB 60 - 50	60/595	50	373	Yes	TCHB-60	208	155	120	85	-	27	8	M68 x 2	2 x M10	130	ø54	54	Yes	21.5												
CHB 100 - 75	100/993	75	950	Yes	TCHB-100	311	185	145	100	M170 x 3 50	55	12	M72 x 2	3 x M10	168	ø55	55	Yes	48.5												

\* Rounded value, see kN for exact value

For further information, please see our price list or browse [www.powertools.se](http://www.powertools.se).