



POWERTOOLS
HYDRAULICS

Hand pumps
PH



Hand pumps: Handy and mobile

If you only carry out a few operations at a time, a hand pump is often the best choice. Its weight is low, it needs no electricity, and is generally easy to use. Also, it needs little effort to pump, and it's ergonomic.

In addition to various sizes and working pressures, you can choose between one and two-stage pumps. The single-stage variant has the same flow for each pump stroke and is especially suitable for our low-profile cylinders, where the stroke is short and does not need such a large oil volume.

For longer strokes we recommend a two-stage variant, where you get up to 20 times greater flow at low pres-

sure. This minimises the number of strokes needed for each operation. The two-stage variants also have a port for return oil, if you want to fit a four-way valve in order to use double-acting cylinder.

- **Working pressure up to 1500 bar**
- **One and two stage variants**
- **Oil tank 0.3–4.0 litres**
- **Special designs on request**



POWERTOOLS
HYDRAULICS

Hand pumps
PH



PH 078



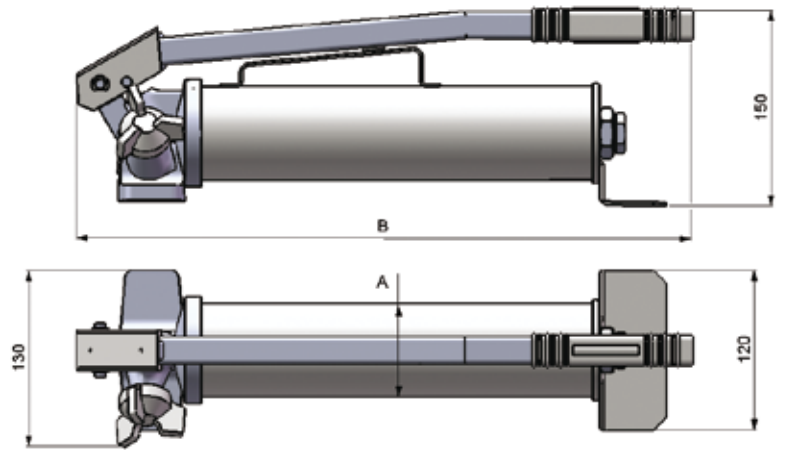
PH 248



PH 108



PH 38A



Hand pumps - PH

Article number	Maximum working pressure		Capacity/ stroke at low pressure	Capacity/ stroke at high pressure	Oil volume	Pumping force	Width	Length	Weight
	MPa	Bar							
	Dimension in mm							A	B
PH 076	60	600	-	1.6	700	280	70	435	4.7
PH 077	70	700	-			330			4.7
PH078	80	800	-			380			4.7
PH0710	100	1000	-			470			4.7
PH 38A	80	800	20	1	300	400	74	320	6.0
PH 107	70	700	20	2	1000	320	74	620	7.4
PH 108	80	800	20	2		360			7.4
PH 1010	100	1000	20	1		230			7.4
PH 1015	150	1500	20	1		370			7.4
PH 247	70	700	20	2	2400	320	127	620	9.2
PH 248	80	800	20	2		360			9.2
PH 2410	100	1000	20	1		230			9.2
PH 408	80	800	20	2		4000			360

For further information, please see our price list or browse www.powertools.se.