



**POWERTOOLS**  
HYDRAULICS

**CKF**

7.2-100 ton



## Compact cylinders with spring return: The alternative for narrow spaces

With its spring return feature, this compact series is extremely user-friendly in restricted spaces. On the two smallest models, the piston is eccentrically located in the cylinder to increase accessibility, for example near wall application.

This model is somewhat higher than our extremely low-profile cylinder series, but on the other hand it has a longer stroke. It also has a spring return which draws the piston back automatically to its start position after each operation, so there's no extra work, and less wasted time.

So which series should be used when? The answer is simple -- if the operation needs several centimetres stroke --

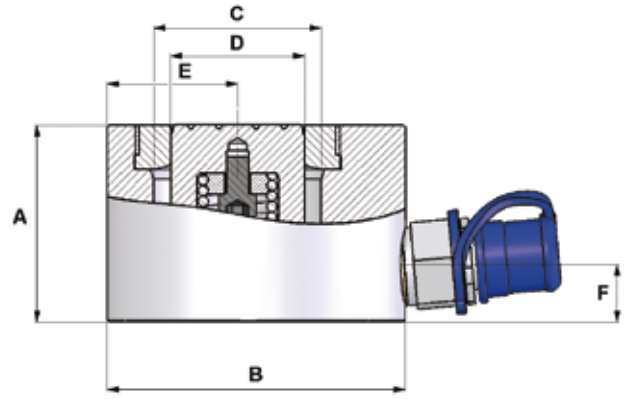
choose CKF. If space is very restricted and a shorter stroke will do, choose one of our low-profile models.

- **Power 7.2-100 ton**
- **Stroke 20-30 mm**
- **Working pressure 800 bar**
- **Spring return**
- **Eccentrically located piston rod**
- **Piston stop for full load**
- **Special designs on request**



**POWERTOOLS**  
HYDRAULICS

**CKF**  
7.2-100 ton



### CKF series

Article number	Capacity	Stroke	Oil volume	Lowest height	Outer Ø	Piston Ø	Piston rod Ø	Measurement from center to radius	Coupling height	Weight								
											Ton*/kN	mm	cm <sup>3</sup>	Dimension in mm				Kg
											A	B	C	D	E	F		
CKF 7.2 - 20	7.2/71.2	20	18	47.5	65	34	28	27.5	16	1.1								
CKF 13 - 20	13/125	20	32	53	80	45	36	35	15	1.9								
CKF 25 - 25	25/245	25	78	65	96	63	50	48	16	3.3								
CKF 40 - 25	40/494	25	126	77	120	80	63	60	18	6.1								
CKF 60 - 30	60/616	30	236	90	130	100	80	65	18	7.9								
CKF 100 - 30	100/962	30	368	108	155	125	100	77.5	25	13.7								

\* Rounded value, see kN for exact value